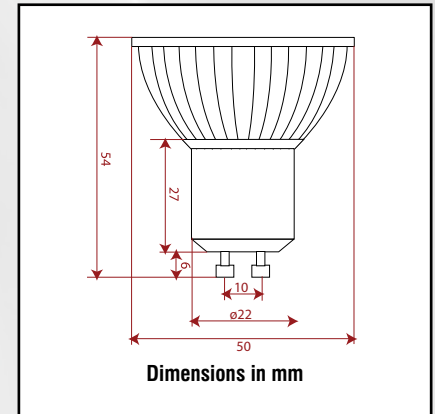
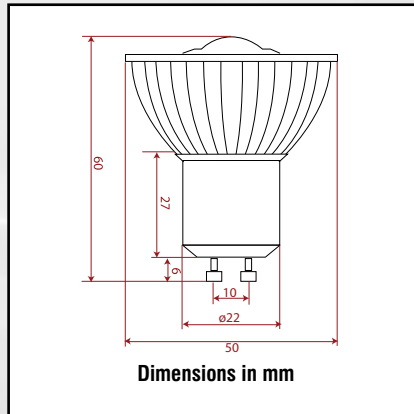
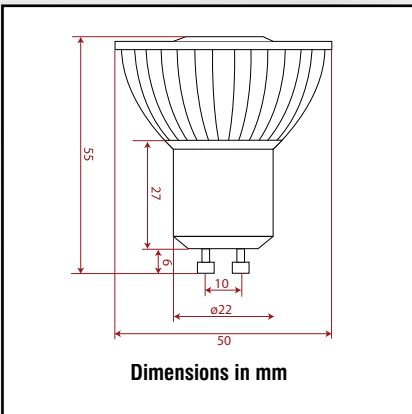




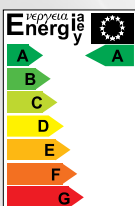
OPTI-STAR High Power LED Lamp 1 x 3W



Optic control of single light source allows precise focused control of light beam. Finished in brushed aluminium the Opti-Star can be specified to give crisp white accent lighting or ultra economic room lighting.



LED Pattern 1 x 3W



PRODUCT CODE	POWER (W)	VOLTAGE (V)	COLOUR OUTPUT	BEAM ANGLE	LUMENS *	LAMP HEIGHT (mm)	LAMP WIDTH (mm)
GU10/LED3W/45/3K	3	240	WARM WHITE 3300K	45°	96	55	50
GU10/LED3W/45/4K	3	240	COOL WHITE 4200K	45°	108	55	50
GU10/LED3W/45/5K	3	240	DAYLIGHT WHITE 5500K	45°	120	55	50
GU10/LED3W/70/3K	3	240	WARM WHITE 3300K	70°	96	60	50
GU10/LED3W/70/4K	3	240	COOL WHITE 4200K	70°	108	60	50
GU10/LED3W/70/5K	3	240	DAYLIGHT WHITE 5500K	70°	120	60	50
GU10/LED3W/120/3K	3	240	WARM WHITE 3300K	120°	96	54	50
GU10/LED3W/120/4K	3	240	COOL WHITE 4200K	120°	108	54	50
GU10/LED3W/120/5K	3	240	DAYLIGHT WHITE 5500K	120°	120	54	50

*There is an expected deviation of Lumen output of up to 10% due to nature of solid state electronics.