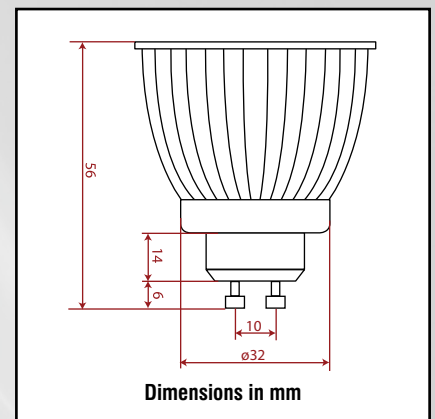


## PROLITE-STAR High Power LED Lamp 3 x 1W



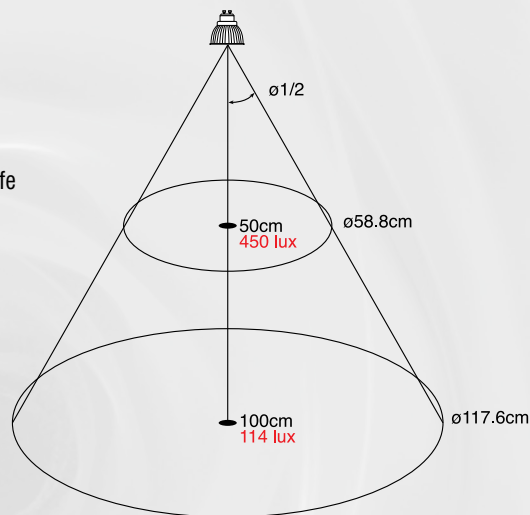
The Prolite Ultra Beam Power Star range of next generation LED lamps are designed to be retro fit to existing light sources.

Ultra Beam LED's are designed for:

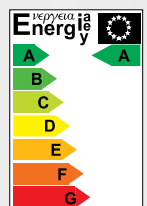
- Long Life (30,000 hours)
- Colour temperature matching to existing lamps
- High efficiency, high output
- Advanced thermal management design for long life
- Ideal for display / retro fit / temperature sensitive / difficult access / long life applications

### SPECIFICATIONS

- 3 x 1W High Power LED Lamp Output
- GU10 240V AC Input at 3W
- 130 Lumens Output
- 60° Beam Angle
- Average Life 30,000 Hours
- UV Free



**LED Pattern 3 x 1W**



50mm Diameter x 57mm Length. 1:1 size comparison to halogen 73 CRI (Colour Rendering Index).

PRODUCT CODE	WATTAGE	VOLTAGE	COLOUR	HEIGHT (mm)	WIDTH (mm)
GU10/LED3W/WH/3K	3	240	WHITE 3300K	56	50
GU10/LED3W/WH/5K	3	240	COOL WHITE 5500K	56	50
GU10/LED3W/RED/PS	3	240	RED	56	50
GU10/LED3W/GR/PS	3	240	GREEN	56	50
GU10/LED3W/BL/PS	3	240	BLUE	56	50