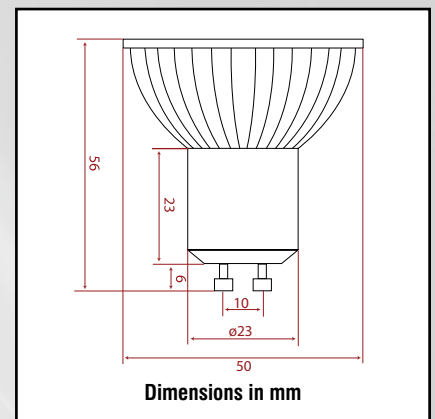


SUN-STAR High Power LED Lamp 3 x 1W

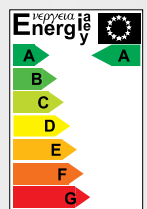


Using blended lens technology Sun-Star GU10 LED allows high light output from an economic light source. Sun-Star has the latest design of heat sink technology for ultra long life.

- 3 x 1W - Nominated Wattage
- 4.3W - Rated Wattage
- 0.50 - Power Factor
- 161 Lumens
- 37.65 Lumens per Watt
- 30,000 hours average life



LED Pattern 3 x 1W



PRODUCT CODE	POWER (W)	VOLTAGE (V)	COLOUR OUTPUT	BEAM	HEIGHT (mm)	WIDTH (mm)
GU10/LED3W/WW/SS	3	240	WARM WHITE 3000K	40°	56	50
GU10/LED3W/WH/SS	3	240	DAYLIGHT WHITE 5200K	40°	56	50