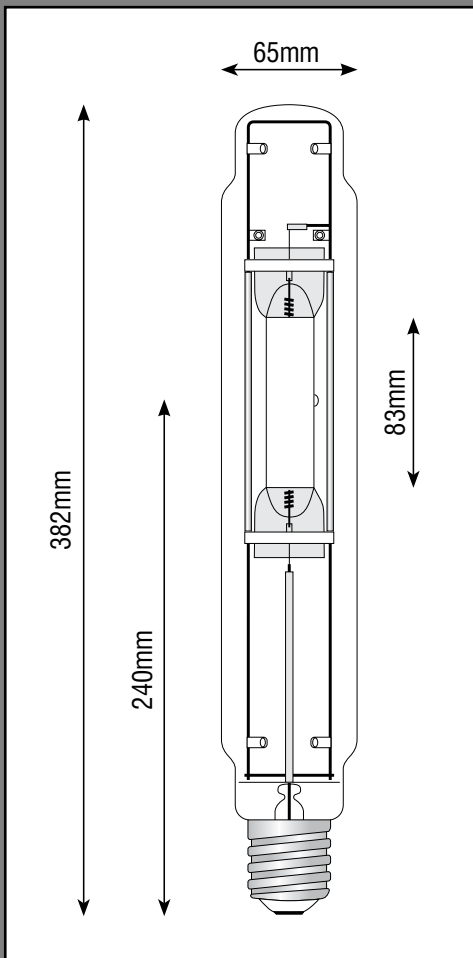




# 1000W Metal Halide Lamp



**PRODUCT CODE: MH1000WT4KM**

PERFORMANCE DATA	
Light Output (Lumens/100Hrs)	80000
Lamp Lumens Per Watt	80
Mean Output (Lumens)	80000
Rated Life (Hrs. 10 Hr.1Strat)	8000
Colour Temperature (k)	4200K +/- 100K Cool White
Chromaticity (CIE-x/y)	0.380, 0.370
Colour Rendering Index (CRI)	55
To 90% Warm Up Time (Minutes)	3 - 5
Hot Restart Time (Minutes)	10 - 15
Burning Position	HORIZONTAL ±15°
PHYSICAL DATA/ REQUIREMENTS	
Base Designation	MOGUL (E40)
Bulb Designation	TT64
Bulb Diameter mm	ø65
Max Overall Length (MOL) mm	382
Light Center Length (LCL) mm	240
Effective Arc Length mm	83
Max Base Temperature (°C)	250°C
Max Bulb Temperature (°C)	400°C
Luminaire type	Closed
Socket Pulse Rating (V)	5KV
Socket Style	MOGUL
ELECTRICAL DATA/ REQUIREMENT	
Lamp Wattage (W)	1000W
Operating Voltage(V)	135V
Operating Current (Amps)	8.25A

For more information call the lamps team on **01780 758590**