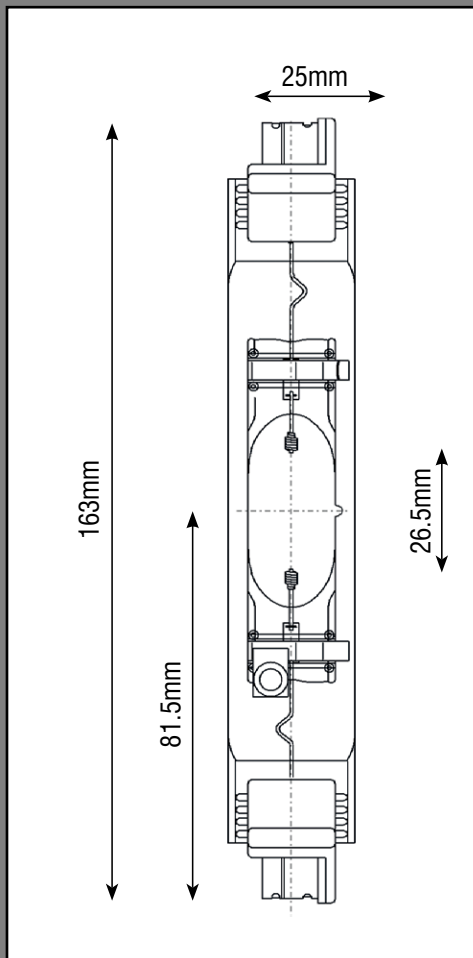
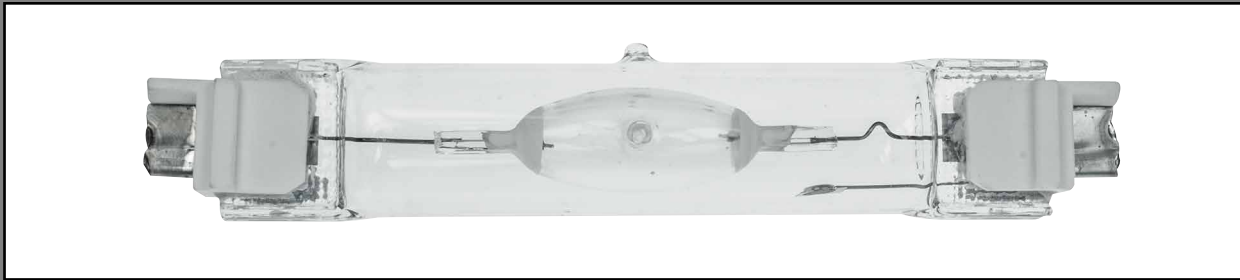




250W Fc2 Metal Halide Lamp



PRODUCT CODE: SLS4/250/L250W

PERFORMANCE DATA	
Light Output (Lumens/100Hrs)	20000
Lamp Lumens Per Watt	80
Mean Output (Lumens)	17000
Rated Life (Hrs. 10 Hr.1Strat)	10000
Colour Temperature (k)	6000K
Chromaticity (CIE-x/y)	0.34, 0.34
Colour Rendering Index (CRI)	80
To 90% Warm Up Time (Minutes)	2 - 4
Hot Restart Time (Minutes)	10 - 12
Burning Position	HORIZONTAL ±45°
PHYSICAL DATA / REQUIREMENTS	
Base Designation	Fc2
Bulb Designation	T8 Quartz Tube
Bulb Diameter mm	ø25
Max Overall Length (MOL) mm	163
Light Center Length (LCL) mm	81.5 ± 3mm
Effective Arc Length mm	26.5
Max Base Temperature (°C)	300°C
Max Bulb Temperature (°C)	650°C
Luminaire type	Closed
Socket Pulse Rating (V)	5KV
Socket Style	Fc2
ELECTRICAL DATA/ REQUIREMENT	
Lamp Wattage (W)	250W
Operating Voltage(V)	100V
Operating Current (Amps)	3.0A

For more information call the lamps team on **01780 758590**